

PRODUCT NUMBER:
sw+fi-006

STREET FITNESS



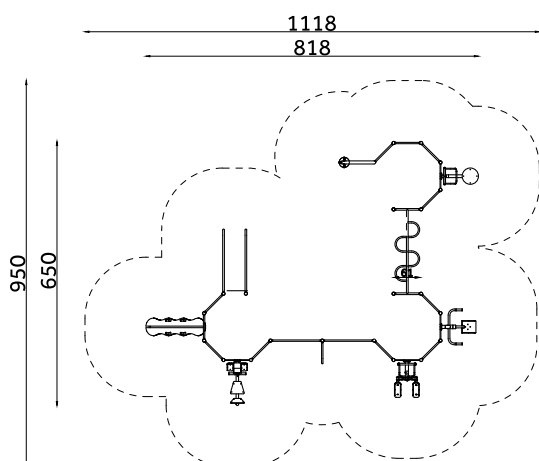
TECHNICAL SPECIFICATION:

DIMENSIONS:	650 x 818 cm
OVERALL HEIGHT:	273 cm
FREE FALL HEIGHT:	202 cm
SAFETY ZONE:	950 x 1118 cm
CONSTRUCTION:	Pipe Ø 76,1 mm, pipes and profiles of various diameters
SECURING OF THE CONSTRUCTION:	Zinc primer,
FINISH:	Polyester varnish, HDPE anty-skid
FOUNDATION:	Device fixed in concrete foundation

Dimensional difference tolerance 3%

COMPONENTS:

- sw-014-3 Vertical ladder 60-123-4 1 piece
- sw-014-7 Vertical ladder 60-243-7 1 piece
- sw-021 Central bar loops 200 1 piece
- sw-028 Straight bar 120 2 pieces
- sw-034 Sloping bench high 1 piece
- sw-036 Handrail high 2 pieces
- sw-042 Fireman's pipe medium 1 piece
- sw-045 Exercise bag 1 piece
- sw-050 fitness pylon 4 pieces
- sw-052 Board with graphics 9 pieces
- fi-005 foot press 1 piece
- fi-006 surfer 1 piece
- fi-011 stepper 1 piece
- fi-015 twister 1 piece



The device complies with the standard: PN-EN 16630: 2015-06